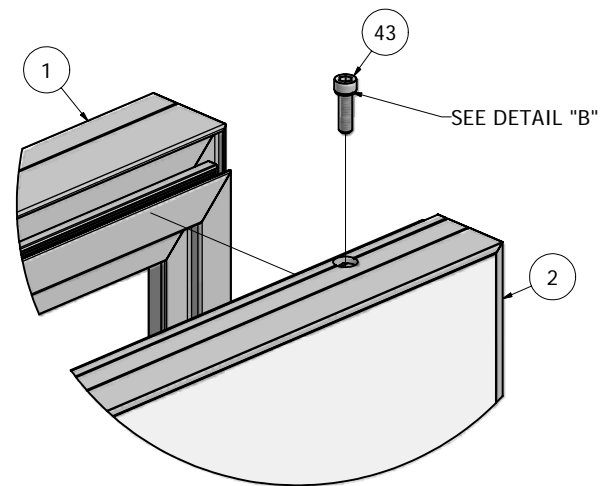
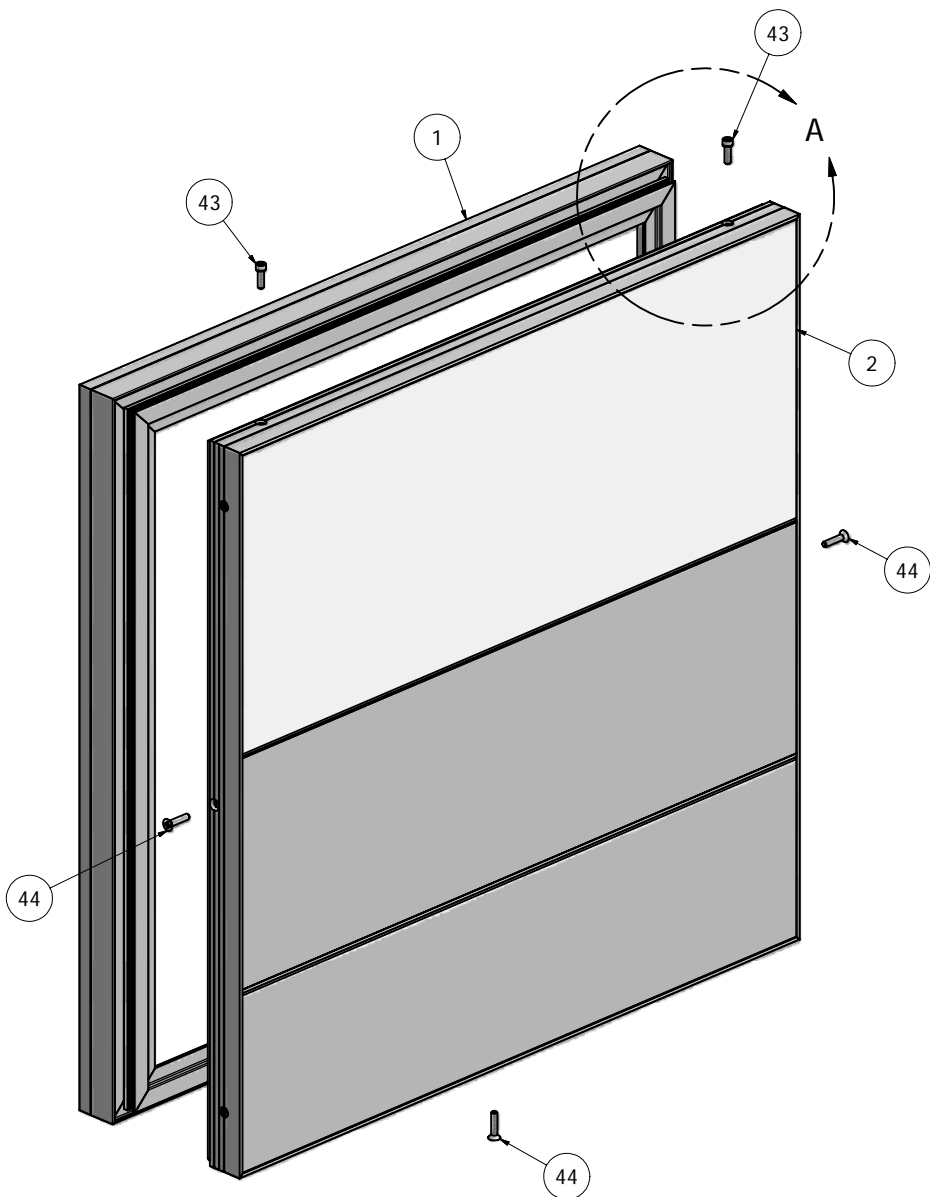
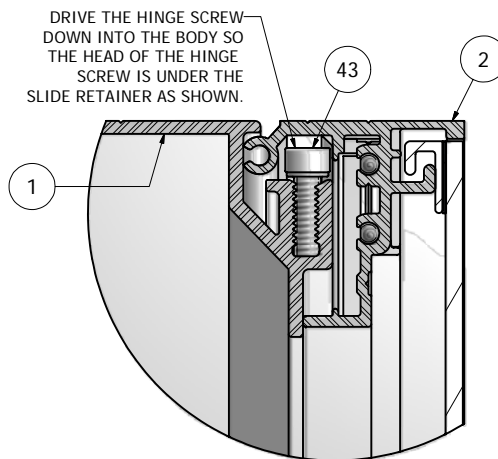


Parts List			
ITEM	PART #	DESCRIPTION	NOTES
1	K1600	Series 7/12 Retro Hinge Body	Assembly
2	K1666/90/96/68	Insert System	Assembly
43	5280	Hinge Screw	Drill 1 1/32" Pilot Hole
44	5230	Hinge Screw	Drill #10 Counter Sink



DETAIL A



DETAIL B

NOTE: PRE-CUT KITS ARE NOT PRE-DRILLED.

(Holes shown in this drawing are for reference only. Drilling of pilot holes are to be done by fabricator.)

THIS DRAWING WAS CREATED AT NO CHARGE TO ASSIST YOU IN VISUALIZING OUR PROPOSAL. THE DRAWING HEREIN IS THE PROPERTY OF SIGNCOMP. PERMISSION TO COPY OR REVISE THIS DRAWING OR TO USE THIS DRAWING FOR PRODUCTION IS STRICTLY PROHIBITED AND CAN ONLY BE COPIED, REVISED OR USED FOR PRODUCTION WITH THE EXPRESSED WRITTEN PERMISSION OF SIGNCOMP.

DRAWN	Steve	2/5/2009	SignComp		
CHECKED					
QA			TITLE		
MFG			Series 7/12 Retro Hinge Body - Insert Panel System - Assembly		
APPROVED			SIZE	DWG NO	REV
			C	K1600-66-90-96	
			SCALE	SHEET 1 OF 1	